

LP-F26XX LanPro Outdoor Duplex Fiber Optic Patch Cords, Armored with corrugated steel tape and LSZH UV Resistant Jacket

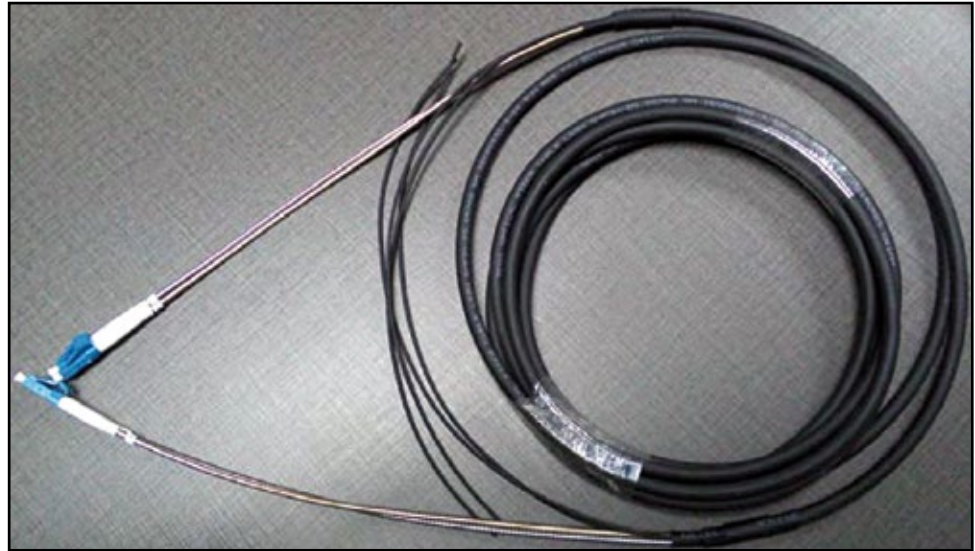
LPF26XX _PFD_ENB01W

Features

- Good mechanical and environmental characteristics.
- Flame retardant characteristics meet the requirements of relevant standards.
- The mechanical characteristics of jacket meet the requirements of relevant standards.
- Soft, flexible, water blocked, UV resistant, easy to lay and splice, and with big capacity data transmission.
- Meet various requirements of market and clients.

Application

- Telecommunications.
- Mainly used in wireless base station horizontal and vertical cabling.



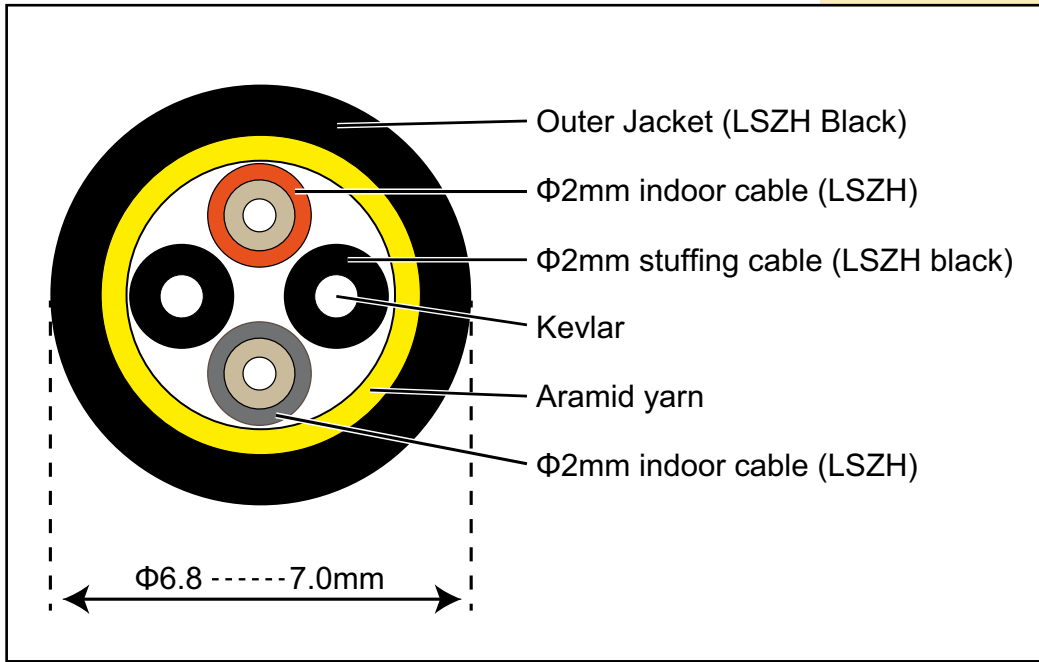
LP-F26XX LanPro Outdoor Duplex Fiber Optic Patch Cords, Armored with corrugated steel tape and LSZH UV Resistant Jacket

LanPro manufactures high quality Fiber Optic Patch Cords in a variety of configurations and lengths to suit our customer requirements.

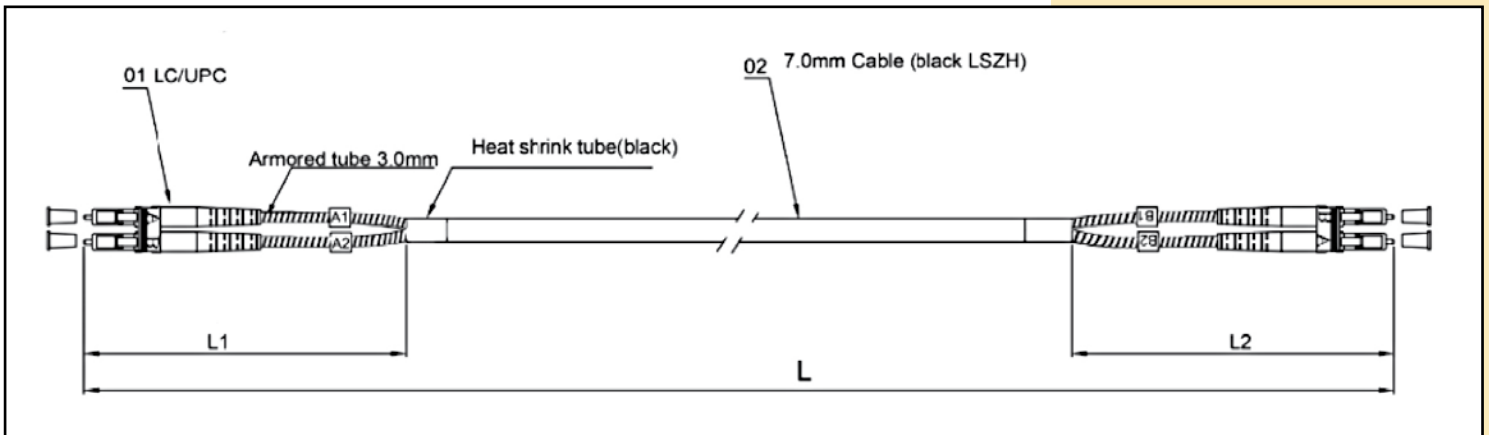
They can be supplied with different types of connectors, fiber cables, Fiber cores and lengths. In this document you can find the Ordering Code which you can use to assemble your order. LanPro's stringent quality control with a 100 % testing scheme assures a product that is warranted to work.

Besides this, LanPro's World Wide Warranty covers any faulty Patch Cord due manufacturing defects. They come individually packed and identified in a plastic zip-bag for your convenience.

A Cable Structure



B Product Drawing



C Cable Parameters

Fiber Count	Cable Dimension (mm)	Cable Weight (kg/km)	Tensile (N)		Crush (N/100mm)		Min Bend radius (mm)		Temperature Range
			Long Term	Short Term	Long Term	Short Term	Dynamic	Static	
2	7.0	42	200	400	300	1000	20D	10D	-30°C ± 70°C

Note:

1. All the values in the table, which are for reference only, are subject to change without notice.
2. The cable dimension and weight are subject to the simplex cable of 2.0 outer diameter.
3. D is outer diameter of the round cable.

D Specifications

ITEM	PARAMETER
Connector Type	LC, SC, FC, ST, E2000
Insertion Loss	<0.3dB
Return Loss	SM>50dB, APC>60dB, MM>35dB
Repeatability	≤0.1
Interchangeability	≤0.2 dB
Durability	≤0.2 dB
Fiber Length	1m, 2m, any length optional.
Length and tolerance	10cm
Operating Temperature	-40°C ~ +85°C
Storage temperature	-40°C ~ +85°C

E How to order

LP-F26TPOCCJLLLB

LP-F26	Outdoor Duplex Fiber Optic Patch Cords, Armored with corrugated steel tape	
T	Connector type both ends	
	0	None
	T	ST Simplex
	G	FC Typical type Simplex disassembled
	E	E2000 Simplex
	K	E2000 Duplex
	F	FC Simplex
	S	SC Simplex
	C	SC Duplex
	P	LC Simplex
	L	LC Duplex
	M	MTRJ Female
	N	MTRJ with Guide Pin Male
P	Polish grade both ends	
	0	None (pigtail)
	1	UPC polish, RL>50dB Blue Color Connector
	2	APC polish, RL>60dB Green Color Connector
	3	PC Polish , RL>20dB Blue Color Connector
4	SPC polish, RL>40dB Blue Color Connector	
0	Optional	

E How to order

LP-F26TPOTPOCCJLLLB

Cable Type	
01	Multimode OM1 62.5/125um, 3.0mm, simplex cable, orange jacket
03	Multimode OM1 62.5/125um, 0.9mm, simplex cable, orange jacket
04	Singlemode B1.3 9/125um, 3.0mm, simplex cable, Yellow jacket
05	Singlemode B1.3 9/125um, 0.9mm, simplex cable, Yellow jacket
06	Singlemode B1.3 9/125um, 0.9mm, simplex cable, White jacket
07	Multimode OM1 62.5/125um, 3.0mm, zipcord cable, orange jacket
08	Singlemode B1.3 9/125um, 3.0mm, zipcord cable, Yellow jacket
09	Multimode OM2 50/125um, 3.0mm, simplex cable, orange jacket
10	Multimode OM2 50/125um, 0.9mm, simplex cable, orange jacket
11	Multimode OM1 62.5/125um, 0.9mm, simplex cable, White jacket
12	Multimode OM1 62.5/125um, 2.0mm, simplex cable, orange jacket
13	Multimode OM2 50/125um, 2.0mm, simplex cable, orange jacket
14	Singlemode B1.3 9/125um, 2.0mm, simplex cable, Yellow jacket
16	Multimode OM1 62.5/125um, 3.0mm, MTRJ dualan cable, orange jacket
17	Singlemode G657 A1 9/125um, 0.9mm, simplex cable, Yellow jacket
18	Multimode OM2 50/125um, 0.9mm, simplex cable, White jacket
19	Singlemode G657 A1 9/125um, 0.9mm, simplex cable, White jacket
20	Singlemode G657 A1 9/125um, 1.8mm, zipcord cable, Yellow jacket
21	Singlemode G657 A1 9/125um, 3.0mm, zipcord cable, Yellow jacket
22	Singlemode G655 9/125um, 0.9mm, zipcord cable, Yellow jacket
23	Multimode OM1 62.5/125um, 2.0mm, zipcord cable, orange jacket
24	Singlemode B1.3 9/125um, 2.0mm, zipcord cable, Yellow jacket
25	Singlemode G657 A1 9/125um, 2.0mm, zipcord cable, Yellow jacket
26	Multimode OM1 62.5/125um, 1.8mm, zipcord cable, orange jacket
27	Singlemode B1.3 9/125um, 2.0mm, Mini-zipcord cable, Yellow jacket
28	Multimode OM3 50/125um, 0.9mm, simplex cable, White jacket
29	Singlemode G655 9/125um, 0.9mm, simplex cable, White jacket
30	Singlemode G655 9/125um, 1.8mm, simplex cable, Yellow jacket
31	Singlemode G655 9/125um, 2.0mm, zipcord cable, Yellow jacket
32	Singlemode G655 9/125um, 3.0mm, zipcord cable, Yellow jacket
34	Multimode OM2 50/125um, 0.9mm, simplex cable, gray jacket
35	Multimode OM2 50/125um, 3.0mm, zipcord cable, orange jacket
40	Multimode OM4 50/125um, 0.9mm, simplex cable, White jacket
42	Multimode OM3 50/125um, 3.0mm, zipcord cable, gray jacket
44	Multimode OM3 50/125um, 3.0mm, MTRJ dualan cable, gray jacket
45	Multimode OM3 50/125um, 2.0mm, zipcord cable, gray jacket

CC

E How to order

LP-F26TP0TP0CCJLLL B

CC	Cable Type	
	46	Multimode OM3 50/125um, 1.8mm, Mini-zipcord cable, gray jacket
	47	Multimode OM3 50/125um, 0.9mm, simplex cable, gray jacket
	55	Multimode OM4 50/125um, 3.0mm, zipcord cable, gray jacket
	60	Multimode OM4 50/125um, 0.9mm, simplex cable, gray jacket
	65	Multimode OM3 50/125um, 3.0mm, simplex cable, aqua jacket laser optimized 10 GIG
	66	Multimode OM3 50/125um, 0.9mm, simplex cable, aqua jacket laser optimized 10 GIG
	67	Multimode OM3 50/125um, 3.0mm, zipcord cable, aqua jacket laser optimized 10 GIG
	68	Multimode OM3 50/125um, 2.0mm, simplex cable, aqua jacket laser optimized 10 GIG
	69	Multimode OM3 50/125um, 3.0mm, MTRJ dualan cable, aqua jacket, laser optimized 10 GIG
	70	Multimode OM3 50/125um, 2.0mm, zipcord cable, aqua jacket laser optimized 10 GIG
	71	Multimode OM3 50/125um, 1.8mm, Mini-zipcord cable, aqua jacket laser optimized 10 GIG
	76	Multimode OM4 50/125um, 3.0mm, simplex cable, aqua jacket laser optimized 10 GIG
	77	Multimode OM4 50/125um, 0.9mm, simplex cable, aqua jacket laser optimized 10 GIG
	78	Multimode OM4 50/125um, 3.0mm, zipcord cable, aqua jacket laser optimized 10 GIG
	79	Multimode OM4 50/125um, 2.0mm, simplex cable, aqua jacket laser optimized 10 GIG
	80	Multimode OM4 50/125um, 3.0mm, MTRJ dualan cable, aqua jacket laser optimized 10 GIG
	81	Multimode OM4 50/125um, 2.0mm, zipcord cable, aqua jacket laser optimized 10 GIG
82	Multimode OM4 50/125um, 1.8mm, Mini-zipcord cable, aqua jacket laser optimized 10 GIG	
J	Cable Jacket type	
	P	PVC Jacket
	L	LSZH Jacket
	R	OFNR
LLL	Length	
	10M	Meter
	10F	Feet
B	Boot Type	
	Blank	Standard long boot
	1	Bendable boot
	2	Short boot

Example:

LP-F26L10L1012V10M	LanPro Outdoor Duplex Fiber Optic Patch Cords, Armored with corrugated steel tape LC/UPC to LC/UPC Multimode OM1 62.5/125um, 2.0mm, black LSZH UV Resistant jacket 10m length.
---------------------------	--

LanPro is continuously improving its products and reserves the right to change specifications and availability without prior notice.